

Finishing Accessories

For Palram Corrugated Sheets



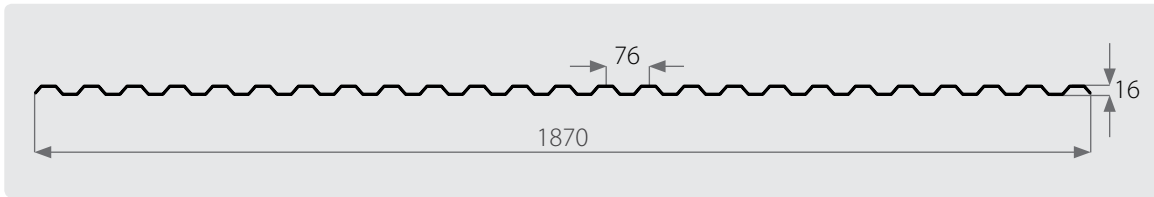
Content

SUNTUF® Greca/Trapeze (76/18)	4
SUNTUF® Iron/Sinus (76/18)	5
SUNTUF® Omega (76/15)	5
Flat PVC Finishing Accessories	6
PALRUF® Greca/Trapeze (76/18)	7
SUNTUF® 5102 (382/50)	7
SUNTUF® Industrial 100 (250/40)	8
PALRUF® 5102 (382/50)	9
PALRUF® American 4.2 (107/27)	9
PALRUF® 5,6 Waves (177/51)	10
Foamed Polyethylene Sealing Strips	11
Closure Strips	12
Fixing Accessories	13

Please note:
All Palram finishing accessories are subject to a minimum quantity order.

SUNTUF® Greca/Trapeze (76/18)

Profile Drawing



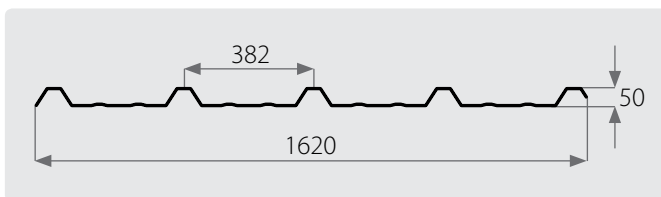
Available Accessories

Item	Illustration	Cross-Section	Dimensions mm (inch)	Item No.
Universal Ridge Cap			1,270 x 150 x 150 (50" x 6" x 6")	108653
Top Wall Trim			1,270 x 50 x 150 (50" x 2" x 6")	108657

* All items are subject to a minimum quantity order.

SUNTUF® 5102 (382/50)

Profile Drawing



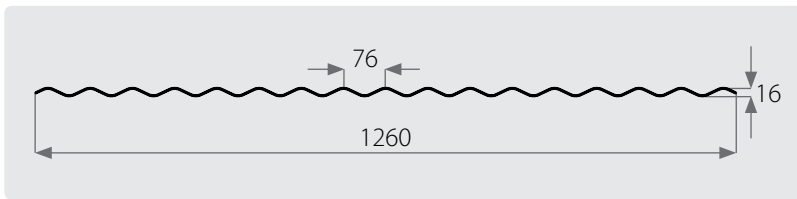
Available Accessories

Item	Illustration	Cross-Section	Dimensions mm (inch)	Item No.
Universal Ridge Cap			1,530 x 270 x 270 (60" x 11" x 11")	702307

* All items are subject to a minimum quantity order.

SUNTUF® Iron/Sinus (76/18)

Profile Drawing



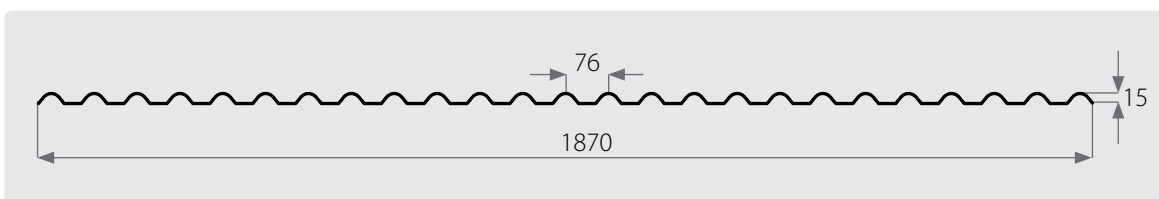
Available Accessories

Item	Illustration	Cross-Section	Dimensions mm (inch)	Item No.
Universal Ridge Cap			1,270 x 150 x 150 (90" x 6" x 6")	702694
Top Wall Trim			1,270 x 50 x 150 (90" x 2" x 6")	702696

* All items are subject to a minimum quantity order.

SUNTUF® Omega (76/15)

Profile Drawing



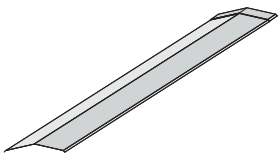
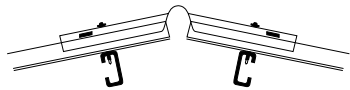
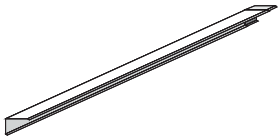
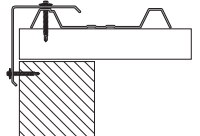
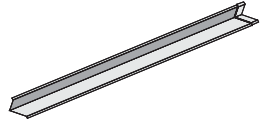
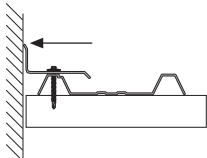
Available Accessories

Item	Illustration	Cross-Section	Dimensions mm (inch)	Item No.
Universal Ridge Cap			2,280 x 270 x 270 (90" x 10" x 10")	105061

* All items are subject to a minimum quantity order.

Flat PVC Finishing Accessories

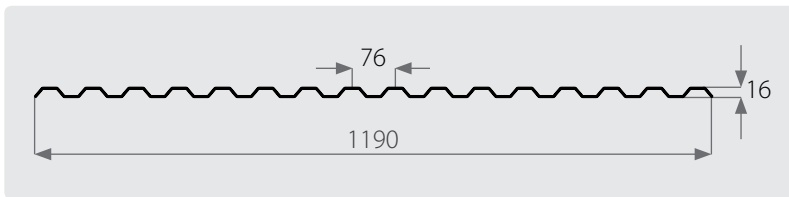
Available Accessories

Item	Illustration	Cross-Section	Dimensions mm (inch)	Item No.
Flat Ridge Cap 150°			2,500 x 210 x 210 (98" x 8" x 8")	110650
Standard Side Gable Trim 90°			2,500 x 160 x 160 (98" x 6" x 6")	105023
Top Wall Trim			2,500 x 50 x 160 (98" x 2" x 6")	105024

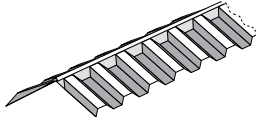

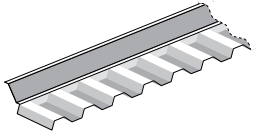
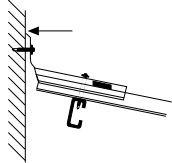
* Flat accessories are available at any requested measurements, subject to a minimum quantity order.

PALRUF® Greca/Trapeze (76/18)

Profile Drawing



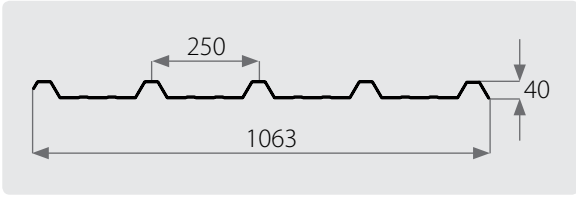
Available Accessories

Item	Illustration	Cross-Section	Dimensions mm (inch)	Item No.
Universal Ridge Cap			2,280 x 150 x 150 (90" x 6" x 6")	105014
Top Wall Trim			2,280 x 50 x 150 (90" x 2" x 6")	105015

* All items are subject to a minimum quantity order.

PALRUF® Industrial 100 (250/40)

Profile Drawing



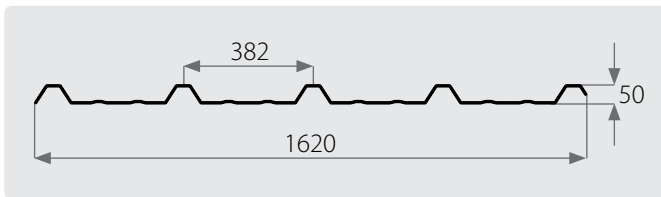
Available Accessories

Item	Illustration	Cross-Section	Dimensions mm (inch)	Item No.
Universal Ridge Cap			1,100 x 270 x 270 (43.5" x 11" x 11")	105000
Air Vent Panel 500mm			1,800 x 1,063 (71" x 73.5")	105002
Air Vent Cap			Diameter 900mm	105004
Supports			350 x 50 (14" x 2")	701874
Gutter Connector			1,100 x 220 x 80 (43.5" x 9" x 3")	703061

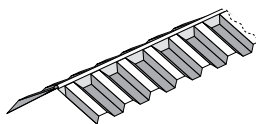
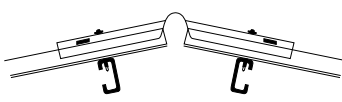
* All items are subject to a minimum quantity order.

PALRUF® 5102 (382/50)

Profile Drawing



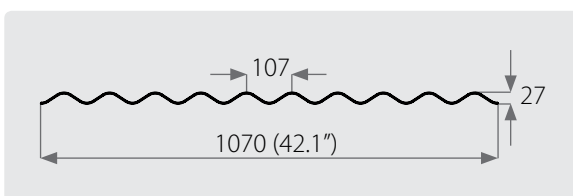
Available Accessories

Item	Illustration	Cross-Section	Dimensions mm (inch)	Item No.
Universal Ridge Cap			1,530 x 270 x 270 (60" x 11" x 11")	702308

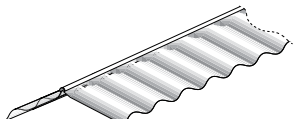
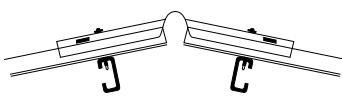
* All items are subject to a minimum quantity order.

PALRUF® American 4.2 (107/27)

Profile Drawing



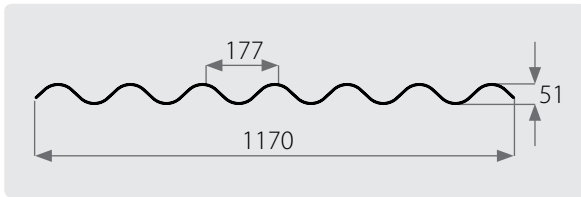
Available Accessories

Item	Illustration	Cross-Section	Dimensions mm (inch)	Item No.
Universal Ridge Cap			2,150 x 270 x 270 (85" x 11" x 11")	105017

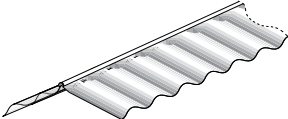
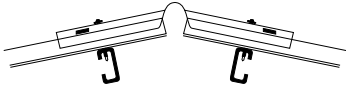
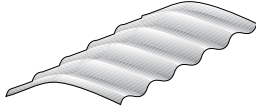
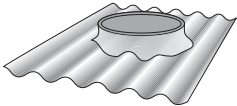
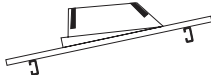


* All items are subject to a minimum quantity order.

PALRUF® 5,6 Waves (177/51)

Profile Drawing

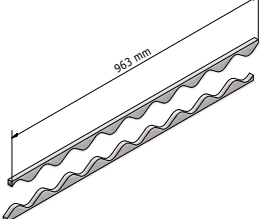
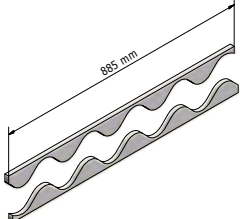
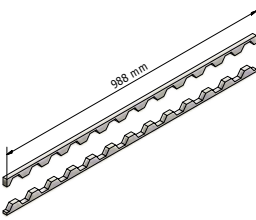
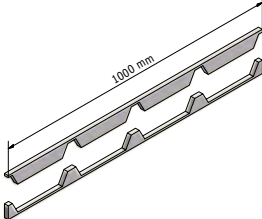


Available Accessories

Item	Illustration	Cross-Section	Dimensions mm (inch)	Item No.
Universal Ridge Cap			2,180 x 400 x 400 (86" x 16" x 16")	105010
Standard Ridge Cap 150°			920 x 300 x 300 (36" x 12" x 12")	105007
Air Vent Panel 500mm			1800 x 1070 (70" x 42")	700790
Air Vent Cap			Diameter 900mm	105004
Supports			350 x 50 (14" x 2")	701874

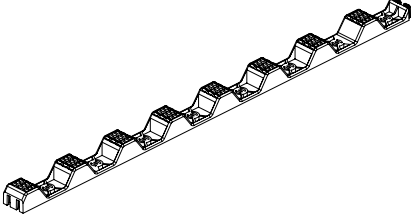
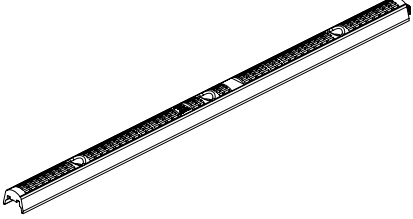
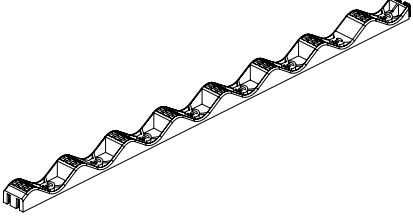
* All items are subject to a minimum quantity order.

Foamed Polyethylene Sealing Strips

Item	Illustration	Item No.
Omega (76/15)		Upper: 92041 Lower: 92042
American 4.2 (107/27)		92039
5,6 Waves (177/51)		92362
Greca/Trapeze (76/18)		92011
Industrial 100 (250/40)		Upper: 92010 Lower: 92012

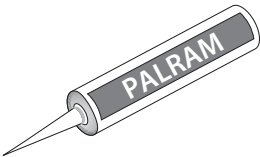
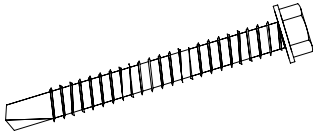
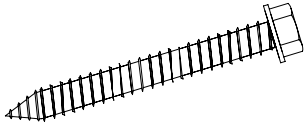

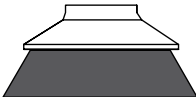
* All items are subject to a minimum quantity order.

Closure Strips

Item	Illustration	Item No.
Greca/Trapeze (76/18)	 A perspective view of a metal closure strip with a series of trapezoidal protrusions along its length.	92770
Vertical Universal	 A perspective view of a metal closure strip with a series of small, rectangular protrusions along its length.	92772
Iron/Sins (76/18)	 A perspective view of a metal closure strip with a series of sinusoidal protrusions along its length.	92771

* All items are subject to a minimum quantity order.

Fixing Accessories

Item	Illustration	Length mm (inch)	Item No.
Silicone Sealant			92042
Self-Drilling Screw		25 (1")	92049
		32 (1.25")	92050
		38 (1.5")	96966
		51 (2")	97374
		64 (2.5")	92051
		76 (3")	92052
Self-Tapping Screw		89 (3.5")	92053
		25 (1")	92021
		32 (1.25")	92019
		38 (1.5")	96922
		51 (2")	97341
		64 (2.5")	92044
19mm Washer/Gasket		76 (3")	92045
		89 (3.5")	92046
25mm Washer/Gasket			92024

* All items are subject to a minimum quantity order.



PALRAM H.Q.

Tel: +972 4 8459900
Fax: +972 4 8444012
palram@palram.com
www.palram.com

PALRAM EUROPE LTD.

Tel: +44 1302 380777
Fax: +44 1302 380778
sales.europe@palram.com
www.palram.com

PALRAM AMERICAS

Tel: 610 2859918
Fax: 610 2859928
palramamericas@palram.com
www.palramamericas.com



67854 - 1.2015

All marketing materials and any content therewith provided by Palram® are provided solely for the purpose of supporting and enhancing the marketing of Palram® products. These materials are protected by Palram's intellectual property rights and may not be used for any other purpose or in connection with the sale of products of any other manufacturer. These materials may not be transferred to or used by any third party without prior permission of Palram.

In as much as Palram Industries has no control over the use to which others may put the material, it does not guarantee that the same results as those described herein will be obtained. Each user of the material should make his own tests to determine the material's suitability for his own particular use. Statements concerning possible or suggested uses of the materials described herein are not to be construed as constituting a license under any Palram Industries patent covering such use or as recommendations for use of such materials in the infringement of any patent. Palram Industries or its distributors cannot be held responsible for any losses incurred through incorrect installation of the material. In accordance with our company policy of continual product development you are advised to check with your local Palram Industries supplier to ensure that you have obtained the most up to date information.

