

SEABOARD

SEABOARD® MARINE & RV MATERIALS



VYCOM

Vycom's Seaboard® family of marine and RV materials provides superior performance in outdoor environments where water, UV exposure, and other harsh elements are present. Unlike other wood or metal alternatives, our products will not rust, corrode, rot, delaminate, or splinter. With their superior scratch resistance, stiffness, and UV performance, Seaboard® products are ideal for a wide range of marine and RV applications.

SEABOARD® HDPE

Seaboard® HDPE is a UV stabilized material that has superior stiffness, scratch and impact resistance, and yet is easy to fabricate and machine for the most demanding applications. It is ideal for a variety of marine applications.

Top Applications:

- Marine Outdoor Cabinetry / Furniture
- Hatches / Covers
- Rails, Trim, & Components
- Decorative Wood / Metal Replacement

Key Material Benefits:

- Excellent Scratch Resistance
- Great Impact & Stiffness
- Weatherability (UV Stabilized)
- Will Not Delaminate, Chip, Rot, or Swell
- Easy to Machine with Standard Tooling

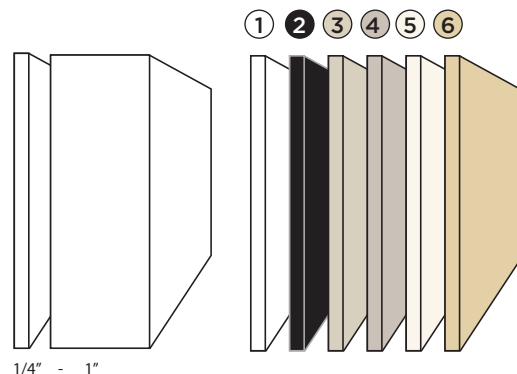
Competitive Advantages

(vs. similar materials):

- Superior Scratch Resistance
- Matte Finish
- Easier to Clean
- Stiffness
- Stocked Colors, Sizes & Thicknesses
- Still FDA & USDA Compliant with UV Additive

Compliances:

- FDA
- USDA
- RoHS Compliant
- UL 94-HB



	①	②	③	④	⑤	⑥
COLORS	POLAR WHITE	BLACK	CRAFT GRAY	MERCURY GRAY	SEAFOAM	SAND SHADE
THICKNESSES	1/4" - 1"	1/4" - 1"	1/4" - 1"	1/4" - 1"	1/4" - 1"	1/4" - 1"

Standard sheet sizes in most formulations are 4' x 8', 4' x 10', 4 1/2' x 8'.
Custom colors and sizes available upon request.
Matte Finish

SEABOARD® PVC

Seaboard® PVC is a foamed PVC that is ideal for wood or metal replacement applications.

The materials are lead and heavy metal free, which allows them to optimize performance while being more environmentally friendly. Seaboard® PVC has an ideal density with a smaller cell structure enabling superior screw and staple retention. The premium UV package enhances long-term material performance.

Top Applications:

- Wood Replacement (Non-Load Bearing)
- Marine Seat Backs & Bottoms
- Cabinetry
- Shutters
- Instrumental Panels / Consoles
- Case Goods

Key Material Benefits:

- Easy to Fabricate, Paint, or Laminate with Traditional Tools
- Easy to Form, Cut & Glue
- Great Screw, Nail, & Staple Retention
- High Strength-to-Weight Ratio
- Insect Resistant
- Weatherability (UV Stabilized)
- Will Not Rot, Swell, or Peel

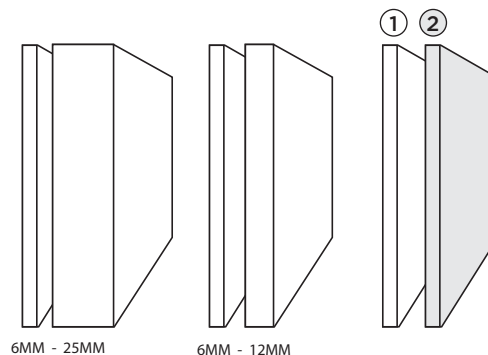
Competitive Advantages

(vs. similar materials):

- Smallest Cell Structure for Finishing
- Oversized Sheets
- Optimal Density for Superior Stiffness, Impact, & Fastening

Compliances:

- UL 94 V-0
- ASTM-E-84
- NFPA-255
- RoHS Compliant



	①	②
COLORS	WHITE	GRAY
THICKNESSES	6MM - 25MM	6MM - 12MM

Standard sheet sizes in most formulations are 4' x 8', 4' x 10'.
Custom colors and sizes available upon request.
Satin Smooth Finish

SEABOARD® LITE HDPE

Seaboard® LITE HDPE is produced utilizing co-extrusion technology that allows for solid outer surfaces with a foamed core. The core is produced with a closed cell structure that eliminates propagation of moisture within the interior and is approximately 20% less weight than solid HDPE enabling opportunities for improved performance along with cost savings.

Top Applications:

- Marine & Non-Marine Outdoor Cabinetry / Furniture
- Accessories & Components
- Hatches & Covers for Recreational Vehicles
- Decorative Wood / Metal Replacement

Compliances:

- FDA
- USDA
- RoHS Compliant
- UL 94-HB

Key Material Benefits:

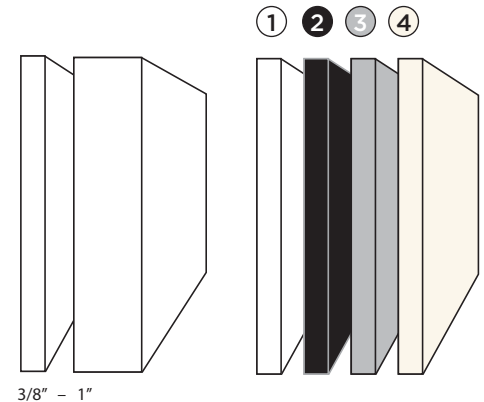
- 20% Less Weight than Solid (Foamed Core)
- Solid Skinned Surface
- Closed / Small Cell Structure - Non Absorbent
- Weatherability (UV Stabilized)

Competitive Advantages

(vs. similar materials):

- Superior Scratch Resistance
- Color Availability

Standard sheet size in most formulations is 4^{1/2}' x 8'.
Custom colors and sizes available upon request.
Matte Finish



COLORS	① WHITE	② BLACK	③ GRAY	④ SEAFOAM
THICKNESSES	3/8" - 1"	3/8" - 1"	3/8" - 1"	3/8" - 1"

SEABOARD® GRIP-X®

Grip-X® UV stabilized material is textured for enhanced traction and slip resistance. It is ideal for step and flooring applications.

Top Applications:

- Steps
- Flooring & Walk Ways
- Swim Platforms

Key Material Benefits:

- Non Skid Surface
- Weatherability (UV Stabilized)
- Diamond or Dot Pattern
- One Side Standard Matte Finish

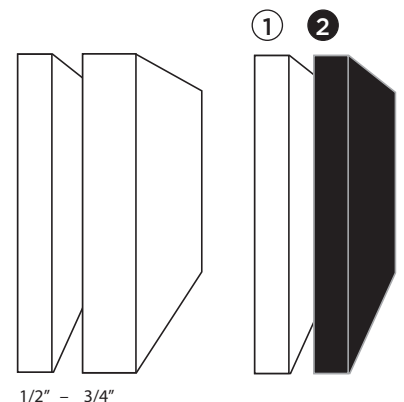
Competitive Advantages

(vs. similar materials):

- Superior UV Package

Compliances:

- FDA
- USDA
- RoHS Compliant
- UL 94-HB



COLORS	① POLAR WHITE	② BLACK
THICKNESSES	1/2" - 3/4"	1/2" - 3/4"

Standard sheet size in most formulations is 4^{1/2}' x 8'.
Custom colors and sizes available upon request.
Matte Finish

SEABOARD® SUPREME DS

Seaboard® Supreme DS is a specially formulated foamed core material that has more stiffness and twice the normal dimensional stability of Seaboard® HDPE.

Top Applications:

- Seat Bottoms
- Engine Covers

Key Material Benefits:

- 50% the Expansion / Contraction Versus Standard HDPE
- Foamed Core for Reduced Weight
- Twice the Stiffness of Standard HDPE
- Weatherability (UV Stabilized)

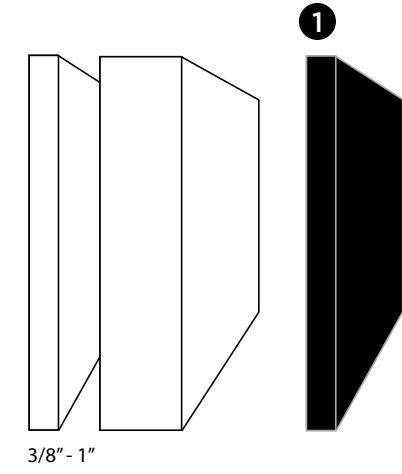
Competitive Advantages

(vs. similar materials):

- Proprietary Formulation

Compliances:

- RoHS Compliant



COLORS	① BLACK
THICKNESSES	3/8" - 1"

Standard sheet size in most formulations is 4'1/2" x 8'. Custom colors and sizes available upon request. Matte Finish

SEABOARD® UTILITY

Seaboard® Utility is an economical grade of lightweight foamed HDPE that is ideal for non-UV applications.

Top Applications:

- Non Exposed Substrates
- Seat Backs & Bottoms
- Wood Replacement
- Weight Reduction Components

Key Material Benefits:

- Approximately 20% Less Weight
- Cost Effective
- Closed / Small Cell Structure - Non Absorbent
- Solid Skinned Surface

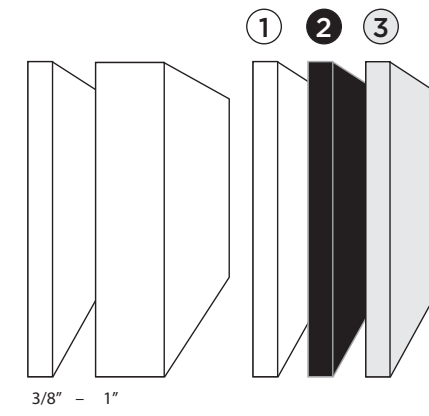
Competitive Advantages

(vs. similar materials):

- Excellent Scratch Resistance
- Superior Screw & Staple Retention

Compliances:

- FDA
- USDA
- RoHS Compliant



COLORS	① POLAR WHITE	② BLACK	③ GRAY
THICKNESSES	3/8 - 1"	3/8 - 1"	3/8 - 1"

Standard sheet size in most formulations is 4' x 8'. Custom colors and sizes available upon request. Matte Finish

SEABOARD® ENDURABOND

Seaboard® Endurabond material provides structural and bonding properties for marine and other applications. Unlike wood, Endurabond will not rot, corrode, delaminate or splinter. Endurabond offers enhanced adhesion characteristics and optimal screw retention.

Top Applications:

- Fiberglass Bracing & Support
- Stringers

Features & Benefits:

- Exceptional structural support
- Impact Resistant
- Excellent surface adhesion characteristics

Competitive Advantages

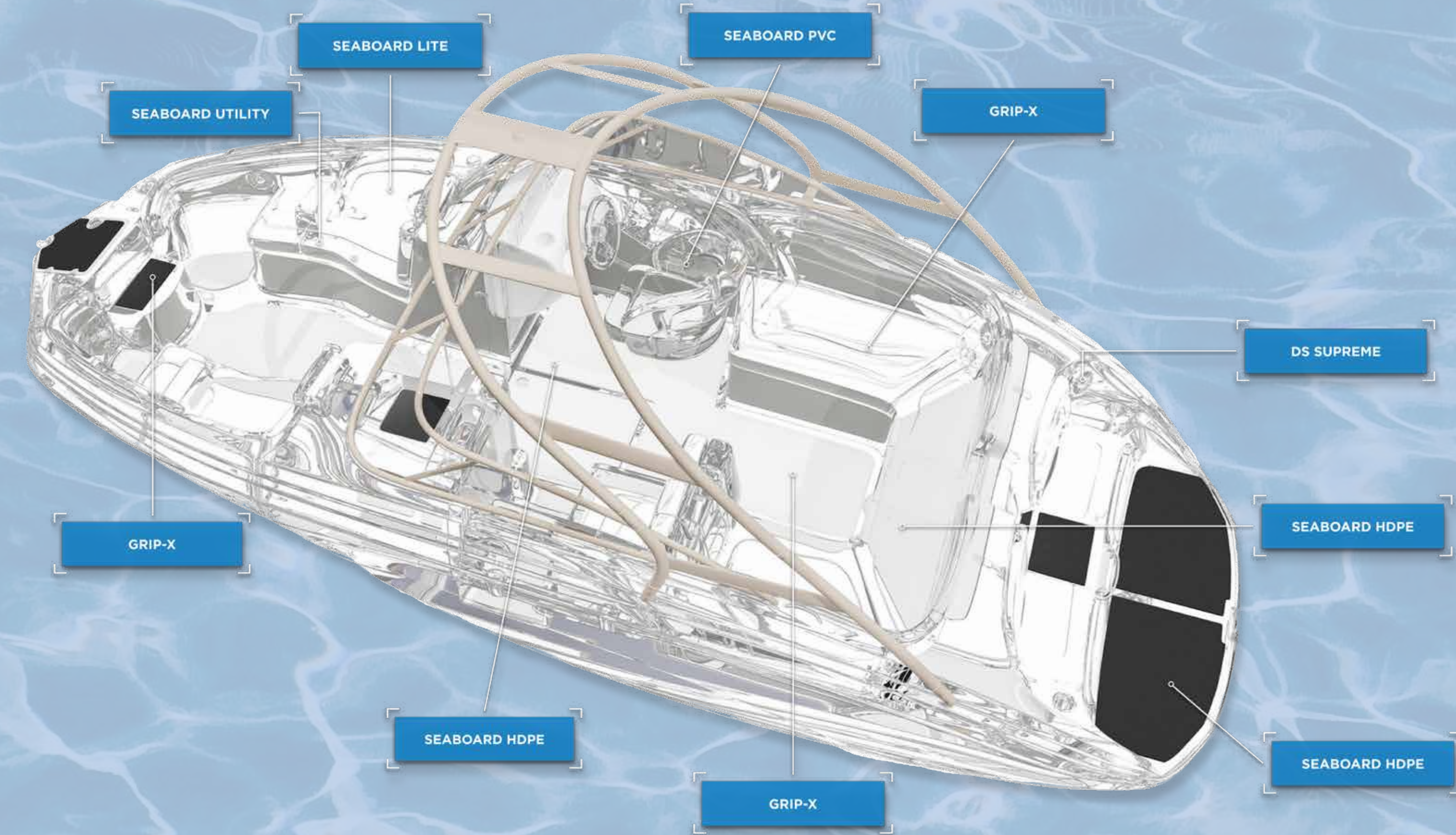
(vs. similar materials):

- Increased screw retention & fastening properties
- Creates less dust during fabrication
- Minimizes tool wear improving maintenance cycles



COLORS	① GRAY
THICKNESSES	1/4" - 3/4"

Standard sheet size is 4' x 8'. Custom colors and sizes available upon request. Coarse Finish





VYCOM

WHERE QUALITY MEETS PERFORMANCE

Vycom manufactures market leading brands of highly innovative plastic sheet products designed to replace wood, metal and other traditional materials in a variety of applications. We strive to be the essential partner in creating solutions that optimize quality, performance and provide a more sustainable future.

801 E. COREY STREET
SCRANTON, PA 18505

PH: (800) 235-8320

FX: (800) 858-9266

WWW.VYCOMPLASTICS.COM



MADE IN THE USA